

1 2 3 4 5 6 7 8

A A

B B

C C

D D

E E

F F

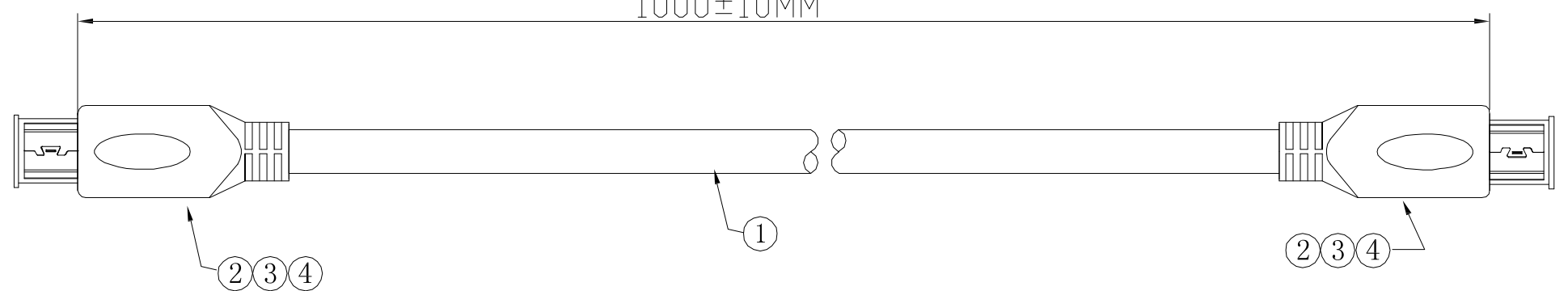
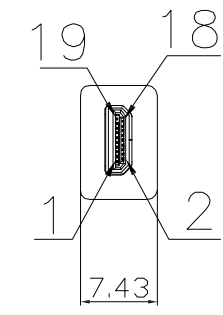
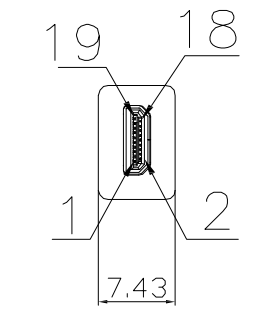
G G

H H

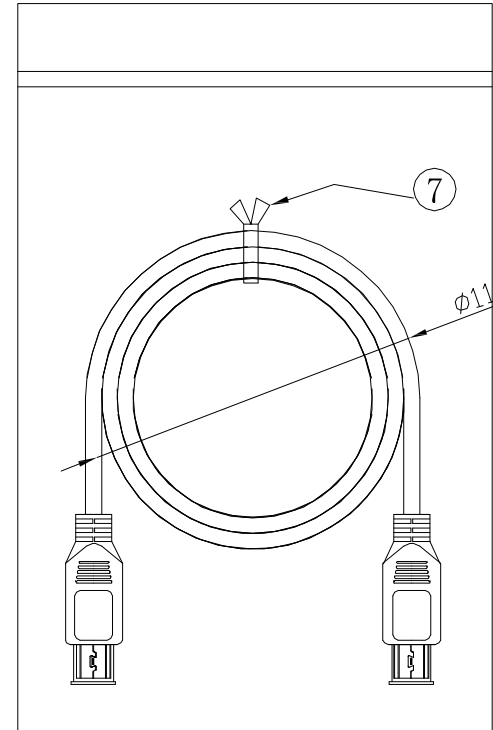
1 2 3 4 5 6 7 8

P1

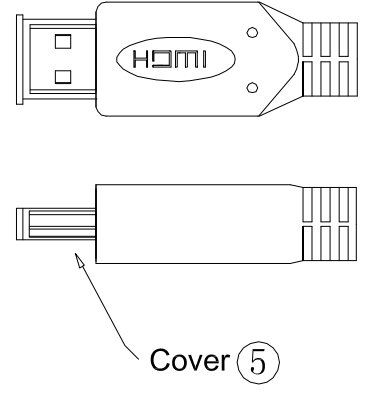
P2



Packaging



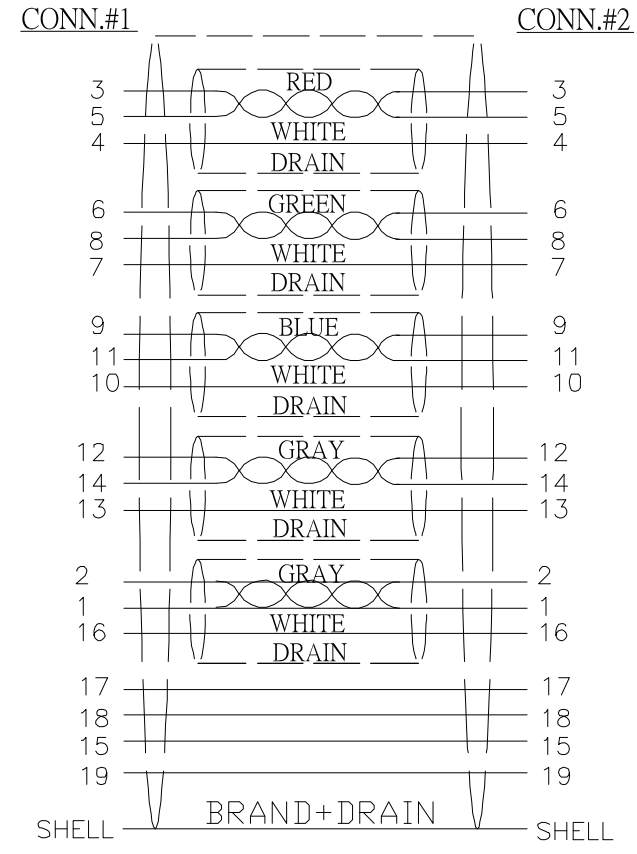
RoHS  
Compliant



ELECTRONIC TEST:

1. 100% TEST, (Open, Short, Miss Wire).
2. Contact Resistance: 2 Ω/ max.
3. Insulation Resistance: 10M Ω /min.
4. Hi-Pot: 300v /10ms.

WIRE DIAGRAM



ITEM	SPECIFICATION	Q' TY	UNIT
5	MICRO HDMI D COVER TRANSPARENT	2	PCS
4	BLACK PVC 45P.		g
3	TRANSPARENT:PE		g
2	MICRO HDMI M 19P SOLDER TYPE BLACK INSULATION SHELL GOLD FLACH, PIN 1U" COLD PLATED	1	SET
1	CABLE: (34AWG/BC*1PR+AL+D)*5P+34AWG/ BC*4C+ABE(16/ 8 / 0.12AL) OD:3.6 ±0.2MM JACKET COLOR:BLACK	L	PC

REV.	REVISION RECORD	DATE	General Tolerance	ARIBA TECHNOLOGY CO., LTD.	
A	Original	05/13/19"	LINEAR 0.0 ±0.35 0.00 ±0.3	ANGLE ±5°	TITLE: HDMI 1.4 D Type Male to D Type Male 1000L
			UNIT:mm		
			A4	NAME	DWG.NO: CHCDMDM1BR-177
			APPROVED	SUNNY	
			DESIGNER	TED	REV. A
			DRAWN	JNLAI	SCALE 1:1 SHEET 1 OF 1